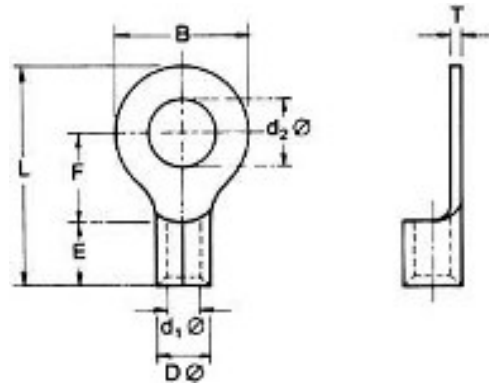


Terminals



Number	Cross Section mm ²	d2 Ø mm	B mm	L mm	F mm	E mm	D Ø mm	d1 Ø	T mm
1.25-3	0.3 - 1.6	3.2	5.7	12.6	4.95	4.5	3.4	1.7	0.75
1.25-4	0.3 - 1.6	4.3	8.0	15.8	7.0	4.5	3.4	1.7	0.75
1.25-M4	0.3 - 1.6	4.3	6.6	14.4	6.6	4.5	3.4	1.7	0.85
1.25-5	0.3 - 1.6	5.3	8.0	15.0	7.3	4.5	3.4	1.7	0.85
1.25-6	0.3 - 1.6	6.4	11.6	21.7	11.4	4.5	3.4	1.7	0.85
1.25-8	0.3 - 1.6	8.4	11.6	21.7	11.4	4.5	3.4	1.7	0.85

Number	Cross Section mm ²	d2 Ø mm	B mm	L mm	F mm	E mm	D Ø mm	d1 Ø	T mm
2-S3	1.1 - 2.6	3.2	6.4	13.5	7.75	4.8	4.0	2.3	0.85
2-4	1.1 - 2.6	4.3	8.5	16.0	7.0	4.8	4.1	2.3	0.80
2-M4	1.1 - 2.6	4.3	6.6	14.4	6.3	4.8	4.0	2.3	0.85
2-5	1.1 - 2.6	5.3	9.5	16.8	7.25	4.8	4.0	2.3	0.85
2-M5	1.1 - 2.6	5.3	8.5	16.8	7.75	4.8	4.1	2.3	0.80
2-6	1.1 - 2.6	6.4	11.0	21.8	11.0	4.8	4.0	2.3	0.85
2-8	1.1 - 2.6	8.4	12.0	21.8	11.0	4.8	4.0	2.3	0.85

Number	Cross Section mm ²	d2 Ø mm	B mm	L mm	F mm	E mm	D Ø mm	d1 Ø	T mm
5.5-S4	2.7 - 6.6	4.3	7.2	15.7	5.9	6.8	5.6	3.4	1.00
5.5-5	2.7 - 6.6	5.3	9.5	19.8	8.25	6.8	5.6	3.5	1.10
5.5-6	2.7 - 6.6	6.4	12.0	25.8	13.0	6.8	5.6	3.5	1.10
5.5-8	2.7 - 6.6	8.4	15.0	28.0	13.7	6.8	5.6	3.5	1.10
5.5-10	2.7 - 6.6	10.5	15.0	28.0	13.7	6.8	5.6	3.5	1.10

Number	Cross Section mm ²	d2 Ø mm	B mm	L mm	F mm	E mm	D Ø mm	d1 Ø	T mm
8-5	6.7 - 10.5	5.3	10.0	21.0	13.0	8.0	7.0	4.5	1.25
8-6	6.7 - 10.5	6.4	12.0	22.5	8.8	8.2	6.9	4.5	1.20
8-8	6.7 - 10.5	8.4	14.0	27.0	19.0	8.0	7.0	4.5	1.25
8-10	6.7 - 10.5	10.5	18.0	30.0	22.0	8.0	7.0	4.5	1.25

Number	Cross Section mm ²	d2 Ø mm	B mm	L mm	F mm	E mm	D Ø mm	d1 Ø	T mm
14-5	10.6 - 16.7	5.3	11.0	25.5	14.5	11.0	8.5	5.8	1.35
14-6	10.6 - 16.7	6.4	11.0	25.5	14.5	11.0	8.5	5.8	1.35
14-8	10.6 - 16.7	8.4	14.0	31.0	20.0	11.0	8.5	5.8	1.35
14-10	10.6 - 16.7	10.5	18.0	33.0	22.0	11.0	8.5	5.8	1.35
14-12	10.6 - 16.7	13.0	22.0	41.0	19.5	11.0	8.5	5.8	1.35

Terminals

Number	Cross Section mm ²	d2 Ø mm	B mm	L mm	F mm	E mm	D Ø mm	d1 Ø	T mm
22-6	16.8 - 26.6	6.4	12.0	31.0	14.0	11.0	11.0	7.5	1.75
22-8	16.8 - 26.6	8.4	16.0	34.0	14.0	11.0	11.0	7.5	1.75
22-10	16.8 - 26.6	10.5	18.0	35.0	14.0	11.0	11.0	7.5	1.75

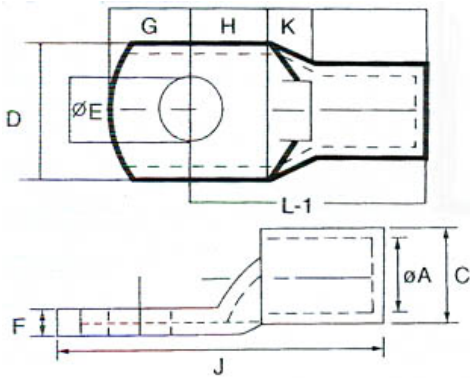
Number	Cross Section mm ²	d2 Ø mm	B mm	L mm	F mm	E mm	D Ø mm	d1 Ø	T mm
38-S6	26.7 - 42.4	6.4	15.3	37.7	16.0	14.0	13.0	9.4	1.80
38-8	26.7 - 42.4	8.4	22.0	42.7	17.7	14.0	13.3	9.4	1.80
38-S8	26.7 - 42.4	8.4	15.3	37.7	16.0	14.0	13.0	9.4	1.80
38-10	26.7 - 42.4	10.5	22.0	42.7	17.7	14.0	13.3	9.4	1.80
38-S10	26.7 - 42.4	10.5	15.3	37.7	16.0	14.0	13.0	9.4	1.80
38-12	26.7 - 42.4	13.0	22.0	42.7	17.7	14.0	12.0	9.4	1.80

Number	Cross Section mm ²	d2 Ø mm	B mm	L mm	F mm	E mm	D Ø mm	d1 Ø	T mm
60-8	42.5 - 60.5	8.4	19.0	42.0	26.0	16.0	14.0	10.8	1.60
60-10	42.5 - 60.5	10.5	19.0	42.0	26.0	16.0	14.0	10.8	1.60
60-12	42.5 - 60.5	13.0	19.0	42.0	26.0	16.0	14.0	10.8	1.60

Number	Cross Section mm ²	d2 Ø mm	B mm	L mm	F mm	E mm	D Ø mm	d1 Ø	T mm
70-10	60.7 - 76.2	10.5	22.0	44.0	27.0	17.0	15.3	11.9	1.70
70-12	60.7 - 76.2	13.0	22.0	44.0	27.0	17.0	15.3	11.9	1.70

Number	Cross Section mm ²	d2 Ø mm	B mm	L mm	F mm	E mm	D Ø mm	d1 Ø	T mm
80-12	76.3 - 96.3	13.0	23.0	46.0	28.8	18.0	17.0	13.5	1.75

Heavy Duty Copper Tube Terminals



Art. number	mm ²	Ø E Hole mm	Ø A mm	C mm	D mm	F mm	G mm	H mm	K mm	B mm
TT1.5-5	1.5	5.2	1.8	3.7	8.0	1.0	4	5	2	5
TT1.5-6	1.5	6.5	1.8	3.7	8.0	1.0	4	5	2	5

Art. number	mm ²	Ø E Hole mm	Ø A mm	C mm	D mm	F mm	G mm	H mm	K mm	B mm
TT2.5-4	2.5	4.2	2.4	4.0	8.0	1.0	4	5	2	7
TT2.5-5	2.5	5.2	2.4	4.0	10.0	0.8	5	6	2	7
TT2.5-6	2.5	6.5	2.4	4.0	10.0	0.8	5	6	2	7
TT2.5-8	2.5	8.4	2.4	4.0	10.0	0.8	5	6	2	7

Art. number	mm ²	Ø E Hole mm	Ø A mm	C mm	D mm	F mm	G mm	H mm	K mm	B mm
TT4-5	4.0	5.2	3.1	4.8	10.0	1.0	5	6	2	7
TT4-6	4.0	6.5	3.1	4.8	10.0	1.0	5	6	2	7
TT4-8	4.0	8.4	3.1	4.8	10.0	1.0	5	6	2	7

Art. number	mm ²	Ø E Hole mm	Ø A mm	C mm	D mm	F mm	G mm	H mm	K mm	B mm
TT6-5	6.0	5.2	3.8	5.5	10.0	1.2	5	6	3	9
TT6-6	6.0	6.5	3.8	5.5	12.0	1.0	6	9	3	9
TT6-8	6.0	8.4	3.8	5.5	12.0	1.0	6	9	3	9
TT6-10	6.0	10.5	3.8	5.5	12.0	1.0	6	9	3	9

Art. number	mm ²	Ø E Hole mm	Ø A mm	C mm	D mm	F mm	G mm	H mm	K mm	B mm
TT105	10.0	5.22	4.5	6.2	12.0	1.2	6	7	3	9
TT106	10.0	6.5	4.5	6.2	12.0	1.2	5	7	3	9
TT108	10.0	8.4	4.5	6.2	12.0	1.2	6	9	3	9
TT1010	10.0	10.5	4.5	6.2	12.0	1.2	6	9	3	9
TT1012	10.0	13.0	4.5	6.2	12.0	1.2	6	9	3	9

Art. number	mm ²	Ø E Hole mm	Ø A mm	C mm	D mm	F mm	G mm	H mm	K mm	B mm
TT165	16.0	5.2	5.4	7.1	12.0	1.4	7	7	4	12
TT166	16.0	6.5	5.4	7.1	12.0	1.4	7	7	4	12
TT168	16.0	8.4	5.4	7.1	12.0	1.4	7	7	4	12
TT1610	16.0	10.5	5.4	7.1	12.0	1.4	7	7	4	12
TT1612	16.0	13.0	5.4	7.1	12.0	1.4	7	7	4	12

Heavy Duty Copper Tube Terminals

Art. number	mm ²	Ø E Hole mm	Ø A mm	C mm	D mm	F mm	G mm	H mm	K mm	B mm
TT255	25.0	5.2	6.8	8.8	13.0	2.0	7	7	4	12
TT256	25.0	6.5	6.8	8.8	13.0	2.0	7	7	4	12
TT258	25.0	8.4	6.8	8.8	18.0	1.4	10	11	4	12
TT2510	25.0	10.5	6.8	8.8	18.0	1.4	10	11	4	12
TT2512	25.0	13.0	6.8	8.8	18.0	1.4	10	11	4	12

Art. number	mm ²	Ø E Hole mm	Ø A mm	C mm	D mm	F mm	G mm	H mm	K mm	B mm
TT355	35.0	5.2	8.2	10.6	15.3	2.4	9	9	5	12
TT356	35.0	6.5	8.2	10.6	15.3	2.4	9	9	5	12
TT358	35.0	8.4	8.2	10.6	15.3	2.4	9	9	5	12
TT3510	35.0	10.5	8.2	10.6	18.0	2.0	10	11	5	12
TT3512	35.0	13.0	8.2	10.6	18.0	2.0	10	11	5	12

Art. number	mm ²	Ø E Hole mm	Ø A mm	C mm	D mm	F mm	G mm	H mm	K mm	B mm
TT506	50.0	6.5	9.5	12.4	17.8	2.9	10	11	6	16
TT508	50.0	8.4	9.5	12.4	17.8	2.9	10	11	6	16
TT5010	50.0	10.5	9.5	12.6	17.8	2.9	10	11	6	16
TT5012	50.0	13.0	9.5	12.6	17.8	2.9	10	11	6	16
TT5014	50.0	14.0	9.5	12.6	17.8	2.9	10	11	6	16

Art. number	mm ²	Ø E Hole mm	Ø A mm	C mm	D mm	F mm	G mm	H mm	K mm	B mm
TT708	70.0	8.4	11.2	14.7	21.0	3.5	12	13	7	18
TT7010	70.0	10.5	11.2	14.7	21.0	3.5	12	13	7	18
TT7012	70.0	13.0	11.2	14.7	21.0	3.5	12	13	7	18
TT7014	70.0	14.0	11.2	14.7	21.0	3.5	12	13	7	18
TT7016	70.0	16.0	11.2	14.7	21.0	3.5	12	13	7	18

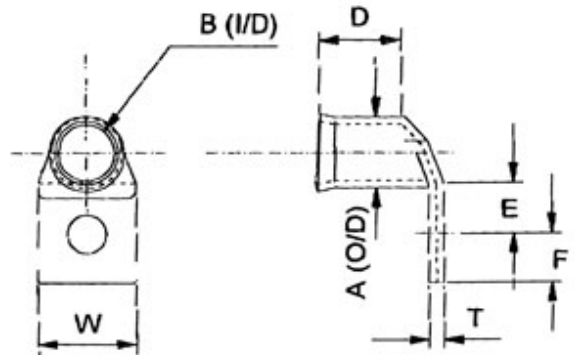
Art. number	mm ²	Ø E Hole mm	Ø A mm	C mm	D mm	F mm	G mm	H mm	K mm	B mm
TT958	95.0	8.4	13.5	17.4	25	3.9	13	13	9	20
TT9510	95.0	10.5	13.5	17.4	25	3.9	13	13	9	20
TT9512	95.0	13.0	13.5	17.4	25	3.9	13	13	9	20
TT9516	95.0	16.0	13.5	17.4	25	3.9	13	13	9	20

Art. number	mm ²	Ø E Hole mm	Ø A mm	C mm	D mm	F mm	G mm	H mm	K mm	B mm
TT12010	120.0	10.5	15	19.4	28	4.4	14	14	10	22
TT12012	120.0	13.0	13.5	17.4	28	4.4	14	14	10	22
TT12016	120.0	16.0	13.5	17.4	28	4.4	16	16	10	22

Art. number	mm ²	Ø E Hole mm	Ø A mm	C mm	D mm	F mm	G mm	H mm	K mm	B mm
TT15010	150.0	10.5	16.5	21.2	30	4.7	16	16	11	26
TT15012	150.0	13.0	16.5	21.2	30	4.7	16	16	11	26

90° Heavy Duty Copper Tube Terminals

90° Heavy Duty Copper Tube Terminals



Number	mm ²	A mm	B mm	W mm	E mm	F mm	D mm	T mm
TT106R	10.0	6.9	4.4	11	5.9	5.1	9	2
TT108R	10.0	6.9	4.4	14	9.75	8.25	11	1.6

Number	mm ²	A mm	B mm	W mm	E mm	F mm	D mm	T mm
TT166R	16.0	8.0	5.6	11	5.9	5.1	11	2.2
TT168R	16.0	8.0	5.6	14	9.75	8.25	11	1.7
TT1610R	16.0	8.0	5.6	16	12.0	10.0	11	1.5

Number	mm ²	A mm	B mm	W mm	E mm	F mm	D mm	T mm
TT256R	25.0	9.5	7	13.5	9.75	8.25	13	2.4
TT258R	25.0	9.5	7	13.5	9.75	8.25	13	2.4
TT2510R	25.0	9.5	7	16	12	10	13	2

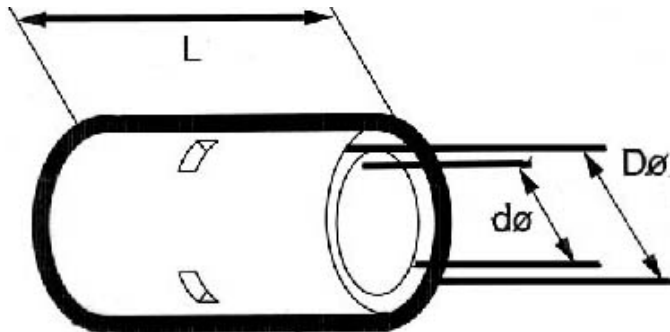
Number	mm ²	A mm	B mm	W mm	E mm	F mm	D mm	T mm
TT356R	35.0	11	8.2	15.5	9.75	8.25	14	2.8
TT358R	35.0	11	8.2	15.5	9.75	8.25	14	2.8
TT3510R	35.0	11	8.2	15.5	12	10	14	2.8


Number	mm ²	A mm	B mm	W mm	E mm	F mm	D mm	T mm
TT508R	50.0	12.1	9.45	17.2	9.75	8.25	18	2.4
TT5010R	50.0	12.1	9.45	17.2	12	10	18	2.4

Number	mm ²	A mm	B mm	W mm	E mm	F mm	D mm	T mm
TT7010R	70.0	15	11.5	21.2	12	10	1	3.5
TT7012R	70.0	15	11.5	21.2	12	10	18	3.5

Number	mm ²	A mm	B mm	W mm	E mm	F mm	D mm	T mm
TT9510R	95.0	17	13.5	24.3	12	10	24	3.5

Non-Insulated Butt Connector



	Art. number	mm ²	L mm	DØ mm	dØ mm
	C1	1.5	16.5	3.3	1.9
	C2	2.5	16.5	4.0	2.6
	C3	6.0	16.5	5.5	3.7
	C5	5.5	15.0	5.4	3.4
	C8	8.0	21.0	7.0	4.5
	C14	14.0	26.0	8.9	5.9
	C22	22.0	29.0	11.3	7.7
	C38	38.0	32.0	13.2	9.4
	C60	60.0	36.0	15.3	11.4
	C70	70.0	37.0	17.5	13.3